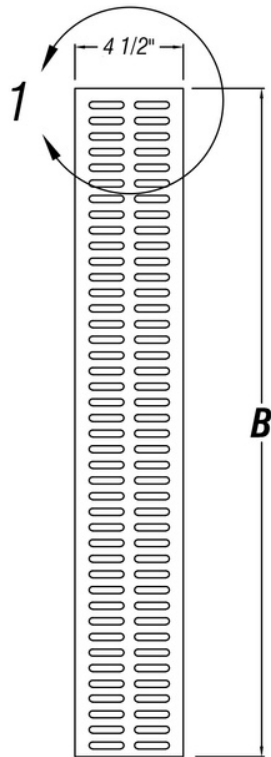


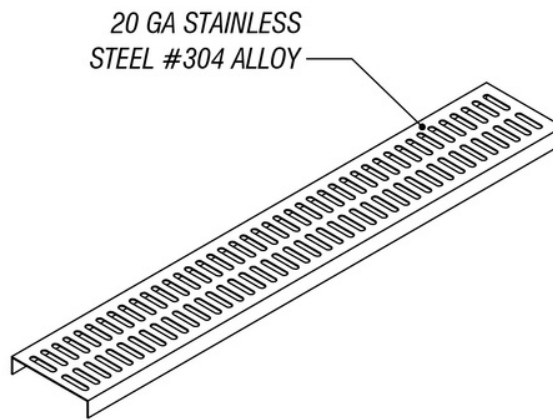


ARCH HARDWARE

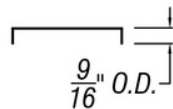
DRIP TRAY FOR TABLE MOUNT SCUPPER 4 7/8" OVERALL



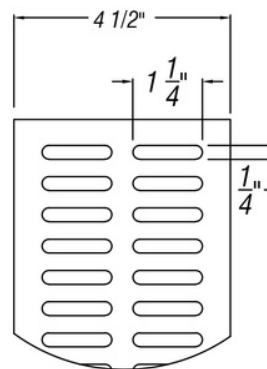
TOP VIEW



ISOMETRIC VIEW



FRONT VIEW



DETAIL-1

PART #	SIZE FOR B	MATERIAL	FINISH
DR462-DT-4 7/8-23 7/8	23 7/8"	20 Ga. Stainless Steel #304 alloy	Satin (#4 Brush)
DR462-DT-4 7/8-47 7/8	47 7/8"		
DR462-DT-4 7/8-58 7/8	58 7/8"		



Phone
(800)-679-2614



Email
webstore@archhardware.net



Address
303 Maler Rd., Sealy, TX 77474